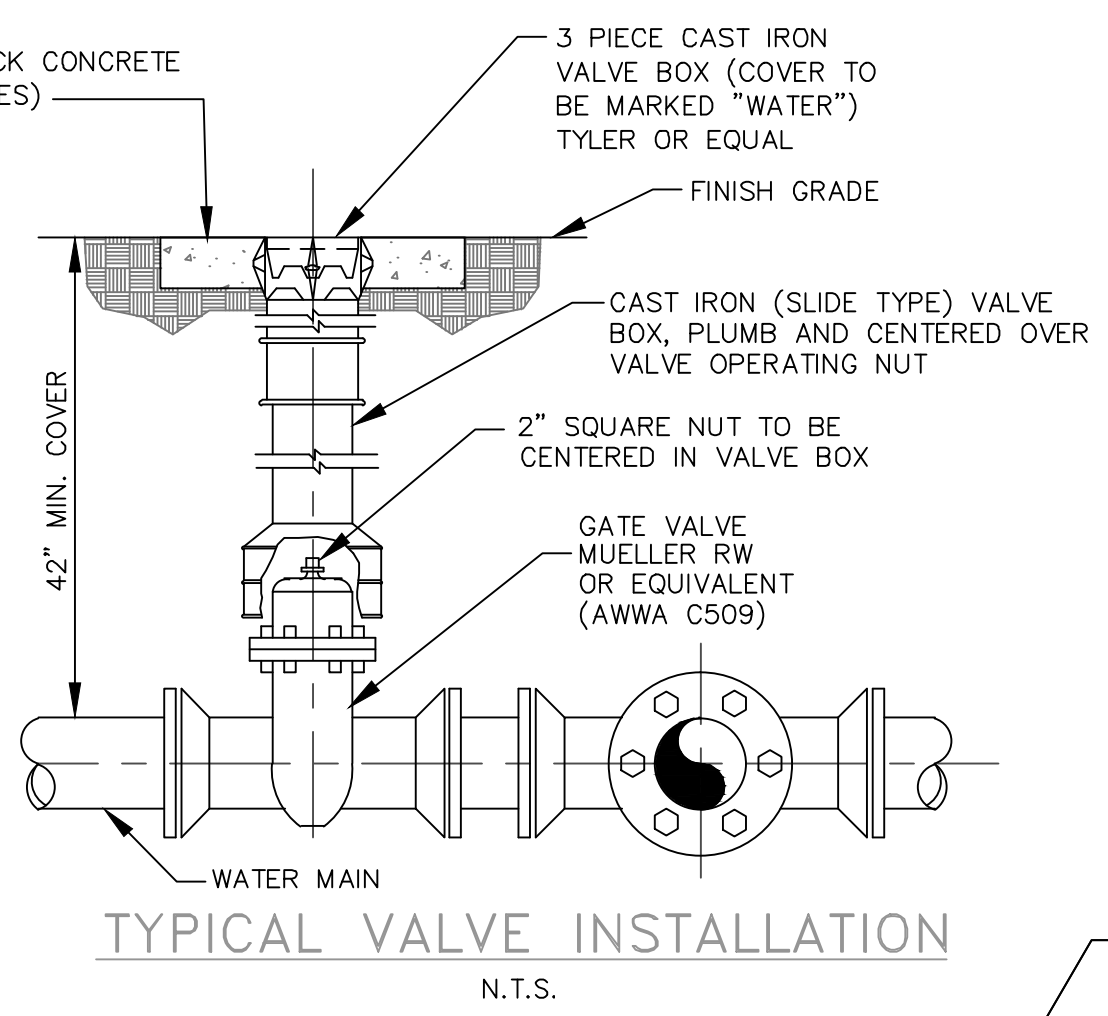
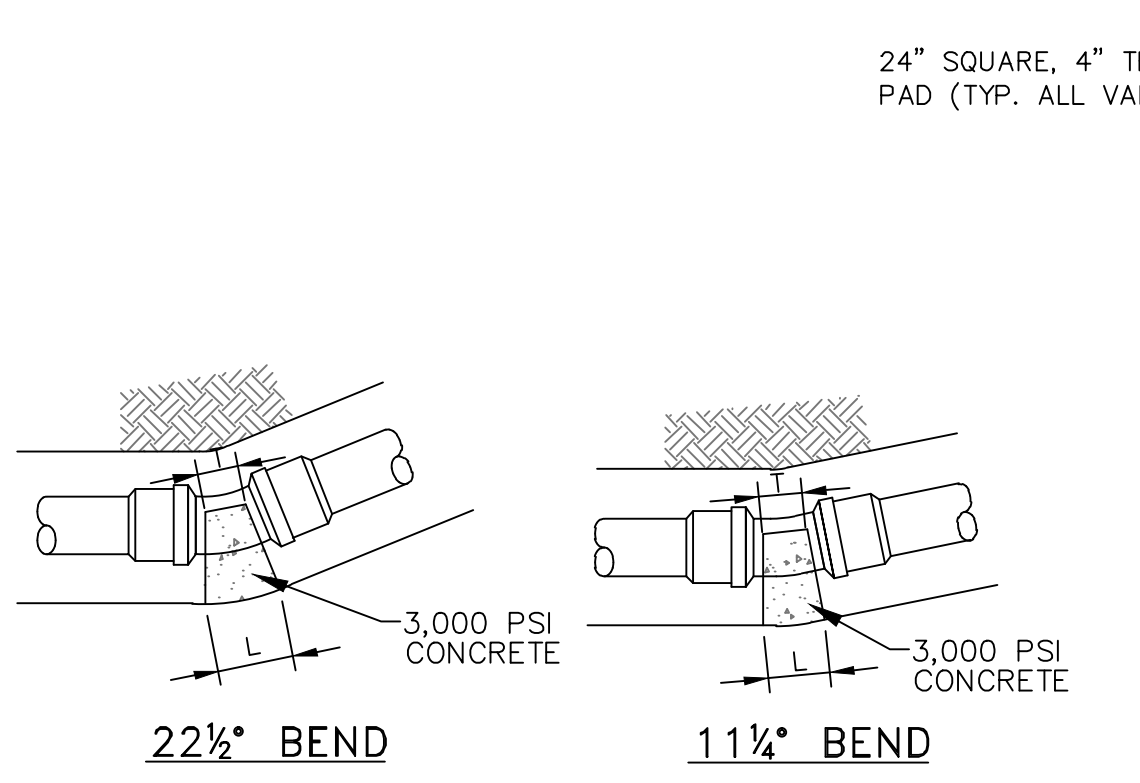
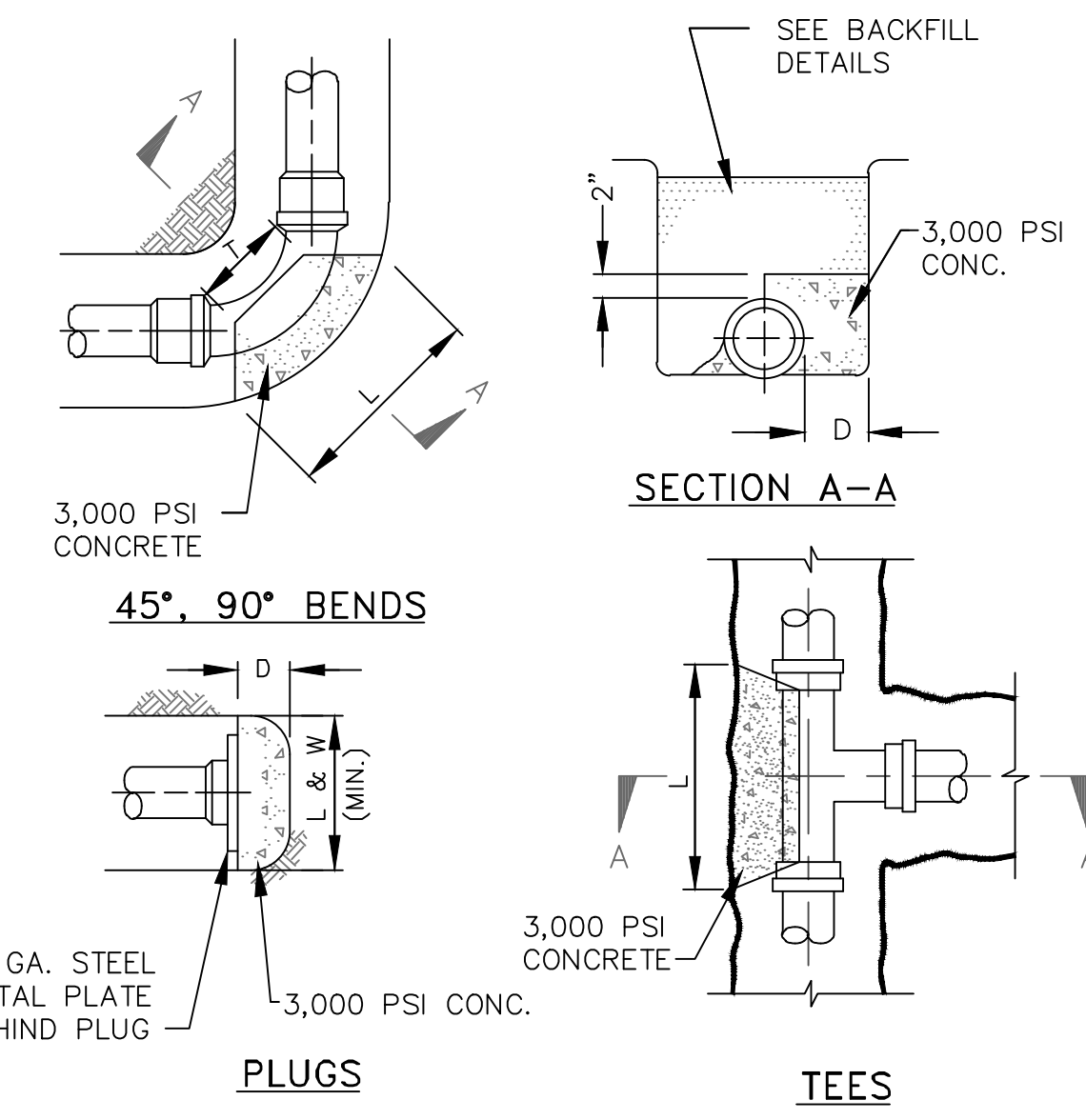


NOTE: CONTRACTOR SHALL PROVIDE TAPS FOR 0" METER INCLUDING, BUT NOT LIMITED TO, CORPORATION STOP AND CONNECTIONS ON BOTH SIDES OF THE VALVE.

VALVE VAULT @ CREEK CROSSING
N.T.S.



TYPICAL VALVE INSTALLATION
N.T.S.



TEES												
SIZE	2"	3"	4"	6"	8"	10"	12"	14"	16"	18"	20"	
D	6"	6"	6"	6"	6"	6"	6"	6"	6"	6"	6"	6"
L	4"	6"	8"	10"	12"	14"	16"	18"	20"	22"	24"	26"

PLUGS												
SIZE	2"	3"	4"	6"	8"	10"	12"	14"	16"	18"	20"	
D	6"	6"	6"	6"	6"	6"	6"	6"	6"	6"	6"	6"
L&W	14"	16"	18"	20"	22"	24"	24"	24"	30"	30"	36"	36"

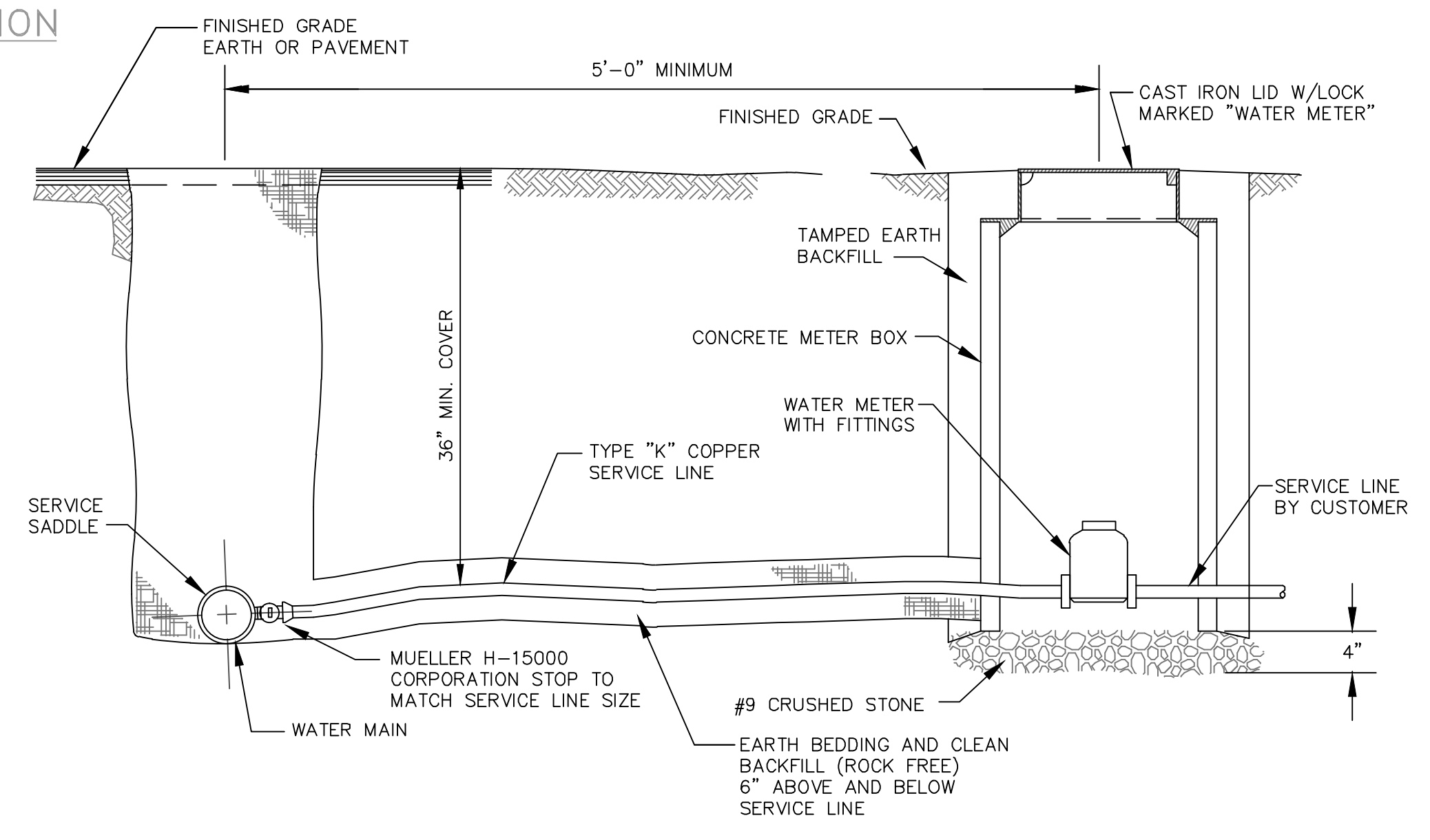
(11 1/4) THIRTY-SECOND BENDS												
SIZE	2"	3"	4"	6"	8"	10"	12"	14"	16"	18"	20"	
D	6"	6"	6"	6"	6"	6"	6"	6"	6"	6"	6"	6"
L	15"	18"	21"	24"	27"	30"	34"	34"	36"	39"	42"	42"
T	10"	12"	14"	16"	18"	20"	22"	25"	29"	30"	36"	36"

(22 1/2) SIXTEENTH BENDS												
SIZE	2"	3"	4"	6"	8"	10"	12"	14"	16"	18"	20"	
D	6"	6"	6"	6"	6"	6"	6"	6"	6"	6"	6"	6"
L	15"	18"	21"	24"	27"	30"	34"	34"	36"	39"	42"	42"
T	10"	12"	14"	16"	18"	20"	22"	25"	29"	30"	36"	36"

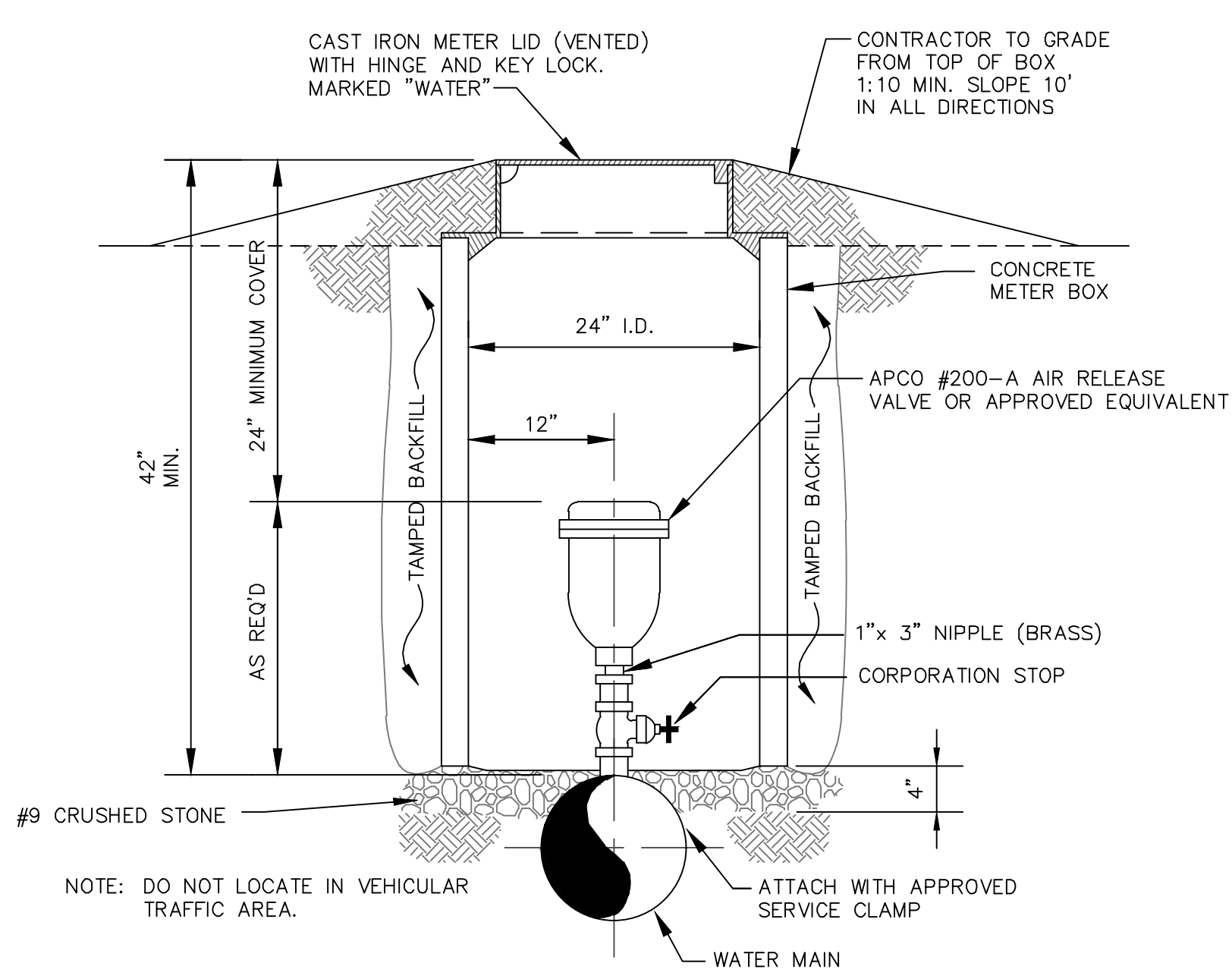
(45) EIGHTH BENDS												
SIZE	2"	3"	4"	6"	8"	10"	12"	14"	16"	18"	20"	
D	6"	6"	6"	6"	6"	6"	6"	6"	6"	6"	6"	6"
L	15"	18"	21"	24"	27"	30"	34"	34"	36"	39"	42"	42"
T	10"	12"	14"	16"	18"	20"	22"	25"	29"	30"	36"	36"

(90) QUARTER BENDS												
SIZE	2"	3"	4"	6"	8"	10"	12"	14"	16"	18"	20"	
D	6"	6"	6"	6"	6"	6"	6"	6"	6"	6"	6"	6"
L	15"	18"	21"	24"	27"	30"	34"	34"	36"	39"	44"	45"
T	10"	12"	14"	16"	18"	20"	22"	25"	29"	30"	36"	36"

THRUST BLOCK SCHEDULE



CUSTOMER SERVICE CONNECTION
N.T.S.



AIR RELEASE VALVE
AND BOX
N.T.S.

SCALE: AS NOTED
DATE: APRIL, 2015
JOB NO.:
DESIGNED: RKS
DRAWN: PTH
CHECKED:
Q/C:

OWNER APPROVAL:
BY:
TITLE:

REVISIONS:
NO.: DATE:

DRAWING: 1
OF 2