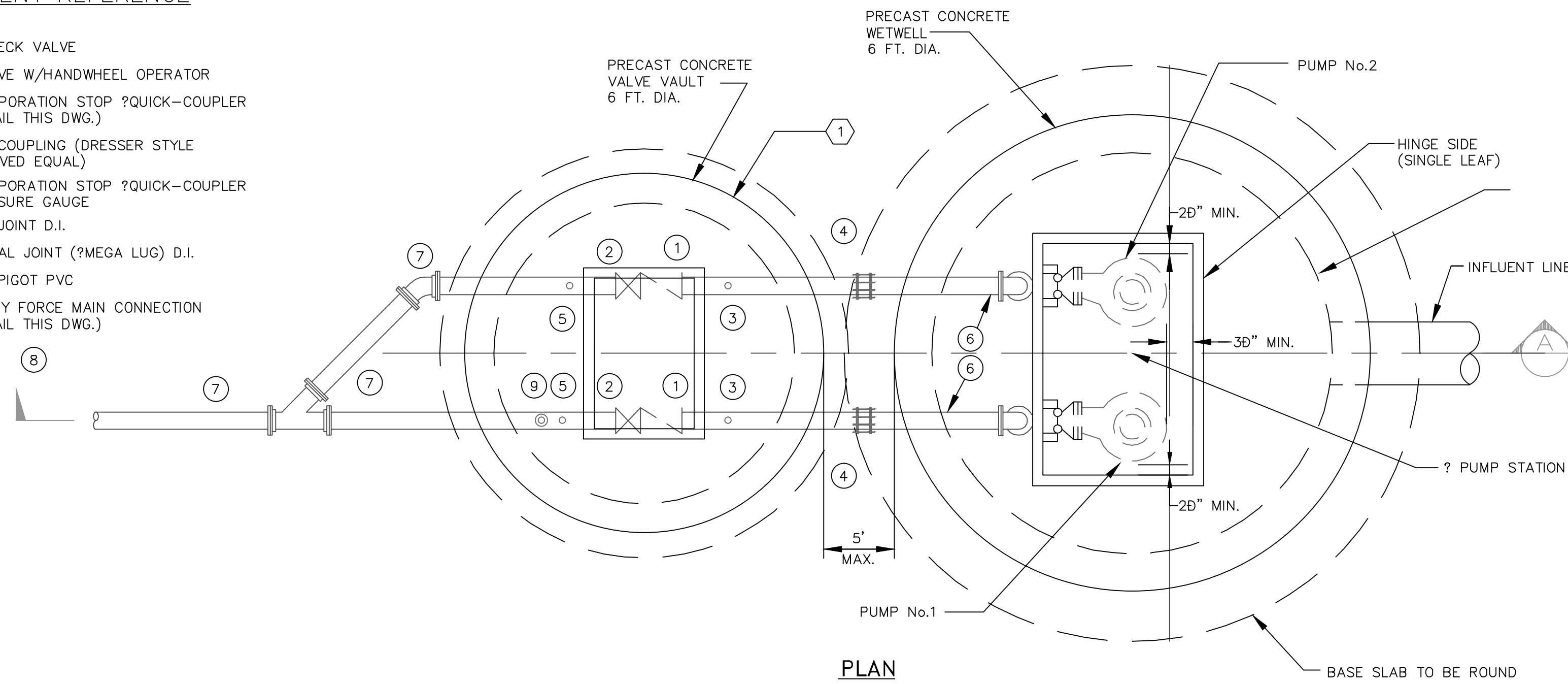


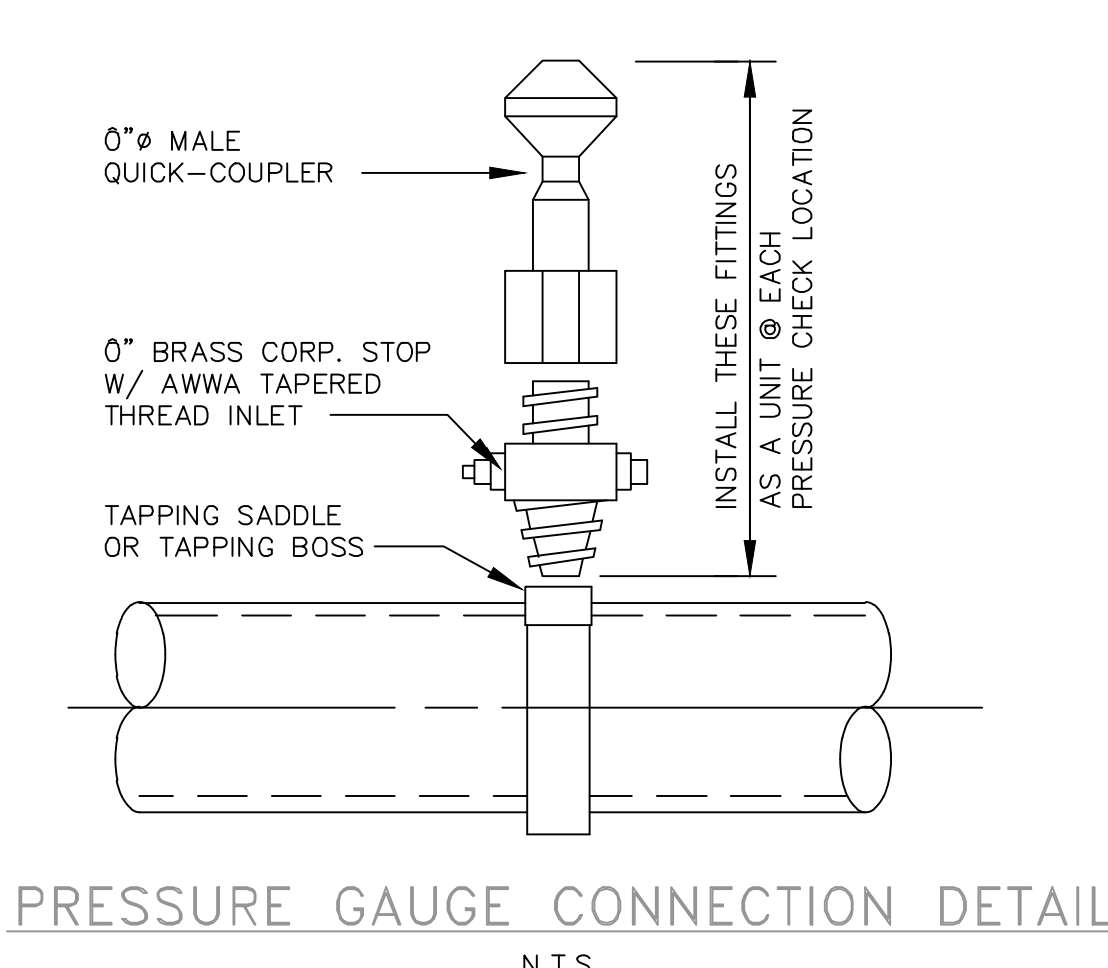
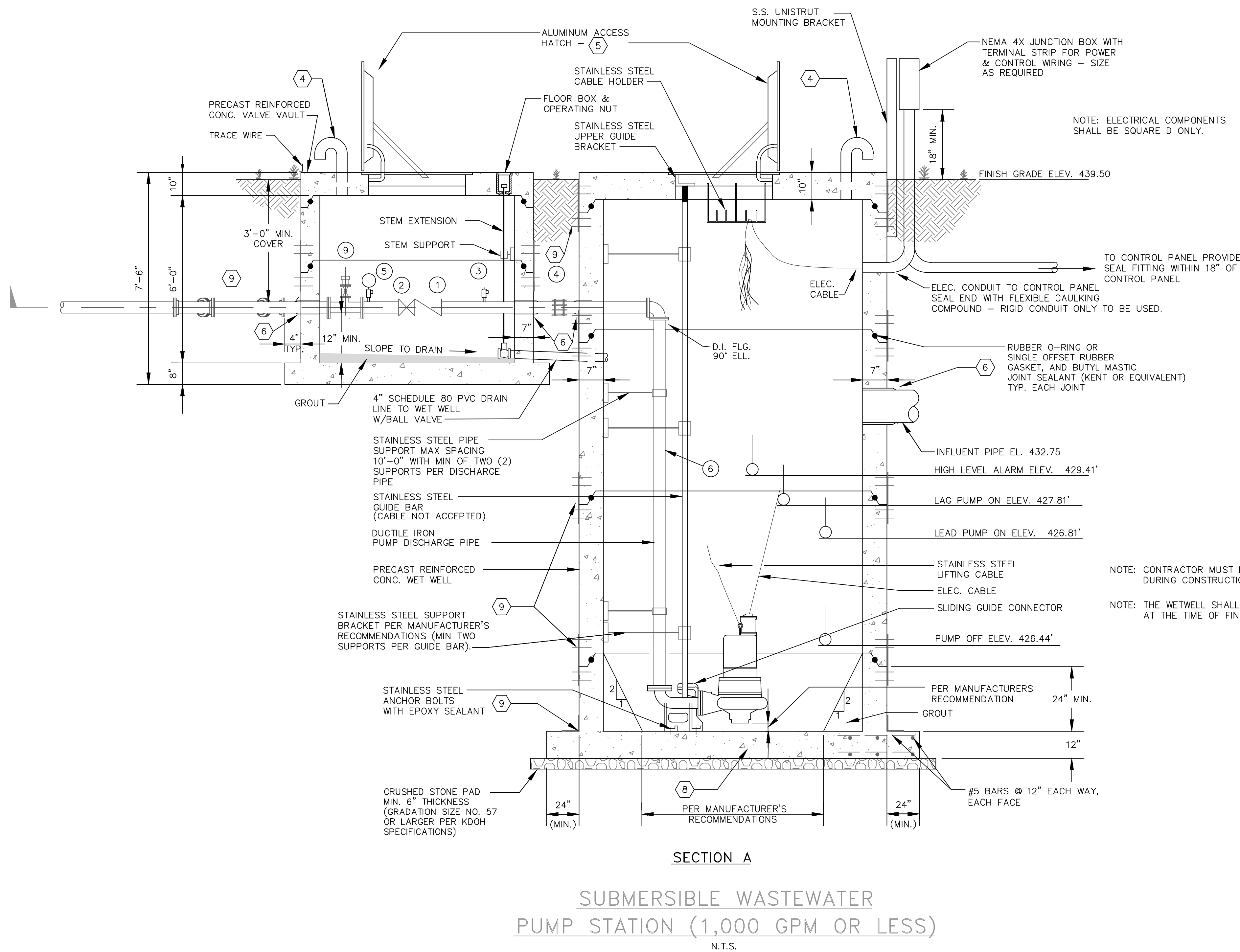
EQUIPMENT REFERENCE

- ① - SWING CHECK VALVE
- ② - GATE VALVE W/HANDWHEEL OPERATOR
- ③ - 3/4" CORPORATION STOP ?QUICK-COUPLER (SEE DETAIL THIS DWG.)
- ④ - FLEXIBLE COUPLING (DRESSER STYLE OR APPROVED EQUAL)
- ⑤ - 3/4" CORPORATION STOP ?QUICK-COUPLER AND PRESSURE GAUGE
- ⑥ - FLANGED JOINT D.I.
- ⑦ - MECHANICAL JOINT (?MEGA LUG) D.I.
- ⑧ - BELL & SPIGOT PVC
- ⑨ - EMERGENCY FORCE MAIN CONNECTION (SEE DETAIL THIS DWG.)

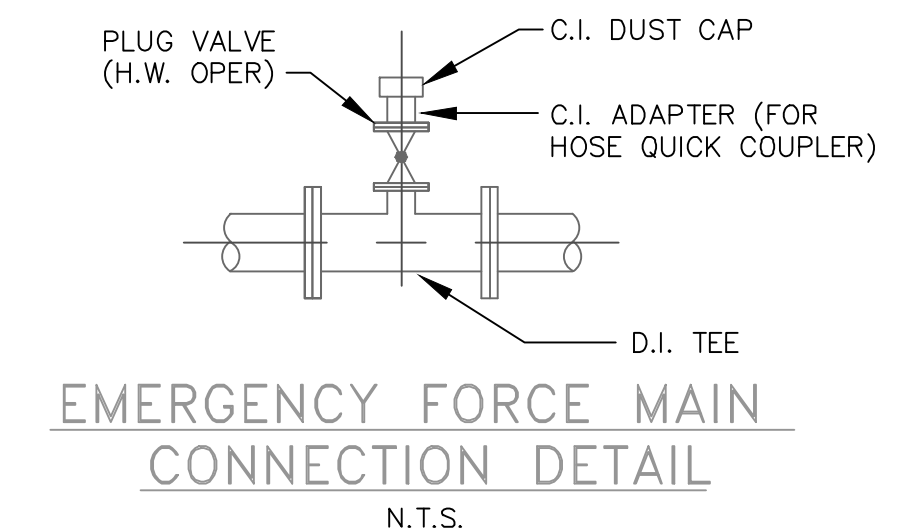


GENERAL NOTES

- ① THE VALVE VAULT SHALL BE LOCATED OUTSIDE THE WET WELL EXCAVATION, BUT NO MORE THAN 5 FEET FROM THE WET WELL. IF THE VALVE VAULT IS PLACED ON EXCAVATED MATERIALS, BACKFILL SHALL BE COMPACTED IN 8" BASE LIFTS TO 95% STANDARD PROCTOR DENSITY.
- ② ALL ANCHOR BOLTS AND HARDWARE SHALL BE 306 OR 316 STAINLESS STEEL.
- ③ DISCHARGE PIPING IN WET WELL AND VALVE VAULT SHALL BE FLANGED CLASS 350 DUCTILE IRON.
- ④ WETWELL VENT TO BE 6" D.I. PIPE WITH RETURN BEND AND STAINLESS STEEL INSECT SCREEN (AS SHOWN).
- ⑤ ALUMINUM ACCESS HATCH FOR VALVE VAULT TO BE 24 INCHES BY 36 INCHES MINIMUM. HATCH FOR WET WELL TO BE SIZED BY PUMP MANUFACTURER. MANUFACTURER SHALL BE BILCO OR EQUAL. HATCHES TO BE PROVIDED ?SAFETY NETS (NOT SHOWN).
- ⑥ THROUGH WALLED CONNECTIONS SHALL BE MADE WATER TIGHT WITH FACTORY INSTALLED FLEXIBLE RUBBER BOOT TO PREVENT INFILTRATION.
- ⑦ BASE SLAB WITH FLANGES AND BOTTOM SECTION SHALL BE MONOLITHIC AND PRECAST. WET WELL SECTIONS MUST BE TIED TOGETHER TO PREVENT SEPARATION IN ACCORDANCE WITH MANUFACTURER'S RECOMMENDATIONS.
- ⑧ PRECAST BASE SECTION.
- ⑨ PROVIDE 4 - 2" W x 1'-7" x 1" THK. S.S. STRAPS AT EACH JOINT. USE FOUR (4) 9/16" S.S. BOLTS WITH EACH STRAP. POSITION BOLTS IN FULL THICKNESS OF WET WELL WALL.
- ⑩ EACH PUMP STATION SHALL BE CONSTRUCTED WITH A NEMA 4X (WATERTIGHT, DUST TIGHT, AND CORROSION RESISTANT) CONTROL PANEL. THE CONTROL PANEL SHALL BE STAINLESS STEEL, HENNESSEY OR APPROVED EQUIVALENT. THE COMPLETED PANEL SHALL HAVE TWO (2) HINGED DOORS, WITH THE OUTSIDE DOOR FULLY GASKETED AND SEALED TO NEMA 4X STANDARDS. THE OUTER DOOR SHALL HAVE PROVISIONS FOR PADLOCKING IN THE CLOSED POSITION.



PRESSURE GAUGE CONNECTION DETAIL
N.T.S.



EMERGENCY FORCE MAIN CONNECTION DETAIL
N.T.S.

NOTE: DURING EMERGENCY OPERATION, THE UTILITY WILL PROVIDE AN APPROPRIATE SIZED CHECK VALVE BETWEEN THE PLUG VALVE AND THE EMERGENCY PUMP.

CITY OF
MADISONVILLE, KENTUCKY
ENGINEERING DEPARTMENT

STANDARD DETAILS - PUMP STATIONS AND FORCE MAINS



SCALE:	AS NOTED
DATE:	APRIL, 2015
JOB NO.:	
DESIGNED:	RKS
DRAWN:	PTH
CHECKED:	
Q/C:	

OWNER APPROVAL:
BY:
TITLE:

REVISIONS:
NO.: DATE:

AS BUILT

DRAWING:
1
OF 2

AS BUILT 12/16/05 HRG
REVISED TO ADD ELEVATIONS 5/15/03 HRG
NOTE: BOTH WET WELL AND VALVE PIT TO BE 6'-0 DIA. I.D.