

NOTES:

USE: The grease trap is to be used as a floating liquid and solid separation unit prior to allowing wastewater containing oils, greases and fats to flow into sanitary sewer. Sanitary (human) waste must not flow through the grease trap. Garbage grinders (disposals) should not be on a connection upstream of a grease trap.

LOCATION: The final end of the trap should be located a distance not more than five (5) feet from the outer perimeter of the structure at a point nearest the area where the separate kitchen line emerges from the building. The effluent line is to be connected to the public sewer. In addition, the tank must be located in a position accessible to vault-cleaning trucks. Both cleanout and outlet ports must be fitted with a standard traffic manhole and frame, and cover.

CONSTRUCTION: Cast iron, PVC or polyethylene piping shall be used for the influent to the grease trap. The effluent pipe to the public sewer may be cast iron, vitrified clay or other materials meeting the local and state plumbing code. The joints shall be of watertight construction. Joints in vitrified clay pipe shall be precast to conform to ASTM SPECIFICATIONS C-425. Joints to outside of trap may be flexible material.

DESIGN AND SIZING:

- Items to consider in the design of a grease trap are:
 - Accessibility of the trap to assure convenience in cleaning and removal of accumulated grease.
 - The distance between inlet pipe and outlet pipe shall be maximized so that adequate separation of grease and wastewater occurs, and short-circuiting is minimized.
 - Venting is not necessary for units that have piping of sufficient size such that siphonage of the outlet pipe is unlikely.
 - Monitoring cleanout required on discharge pipe.
- REQUIREMENT: The plan shown hereon represents one concept only of a trap of 1000 gallon capacity of liquid when in operation.

STRUCTURAL DESIGN: It is the responsibility of the applicant to provide structural design (concrete thickness and composition with appropriate reinforcing steel) to meet the anticipated live and dead loads.

GREASE TRAP SPECIFICATIONS

① USE: The grease trap is to be used as a floating liquid and solid separation unit prior to allowing wastewater containing oils, greases and fats to flow into M.S.D. sewer. Sanitary (human) waste must not flow through the grease trap. Garbage grinders (disposals) should not be on a connection upstream of a grease trap.

② LOCATION: The final end of the trap should be located a distance not more than five (5) feet from the outer perimeter of the structure at a point nearest the area where the separate kitchen line emerges from the building. The effluent line is to be connected to the public sewer. In addition, the tank must be located in a position accessible to vault-cleaning trucks. Both cleanout and outlet ports must be fitted with a standard traffic manhole and frame, and cover.

③ CONSTRUCTION: Cast iron, PVC or polyethylene piping shall be used for the influent to the grease trap. The effluent pipe to the public sewer may be cast iron, vitrified clay or other materials meeting the local and state plumbing code. The joints shall be of watertight construction. Joints in vitrified clay pipe shall be precast to conform to ASTM SPECIFICATIONS C-425. Joints to outside of trap may be flexible material.

④ DESIGN AND SIZING

- Items to consider in the design of a grease trap are:
 - Accessibility of the trap to assure convenience in cleaning and removal of accumulated grease.
 - The distance between inlet pipe and outlet pipe shall be maximized so that adequate separation of grease and wastewater occurs, and short-circuiting is minimized.
 - Venting is not necessary for units that have piping of sufficient size such that siphonage of the outlet pipe is unlikely.
 - Monitoring cleanout required on discharge pipe.
- REQUIREMENT: The plan shown hereon represents one concept only of a trap of 1000 gallon capacity of liquid when in operation.

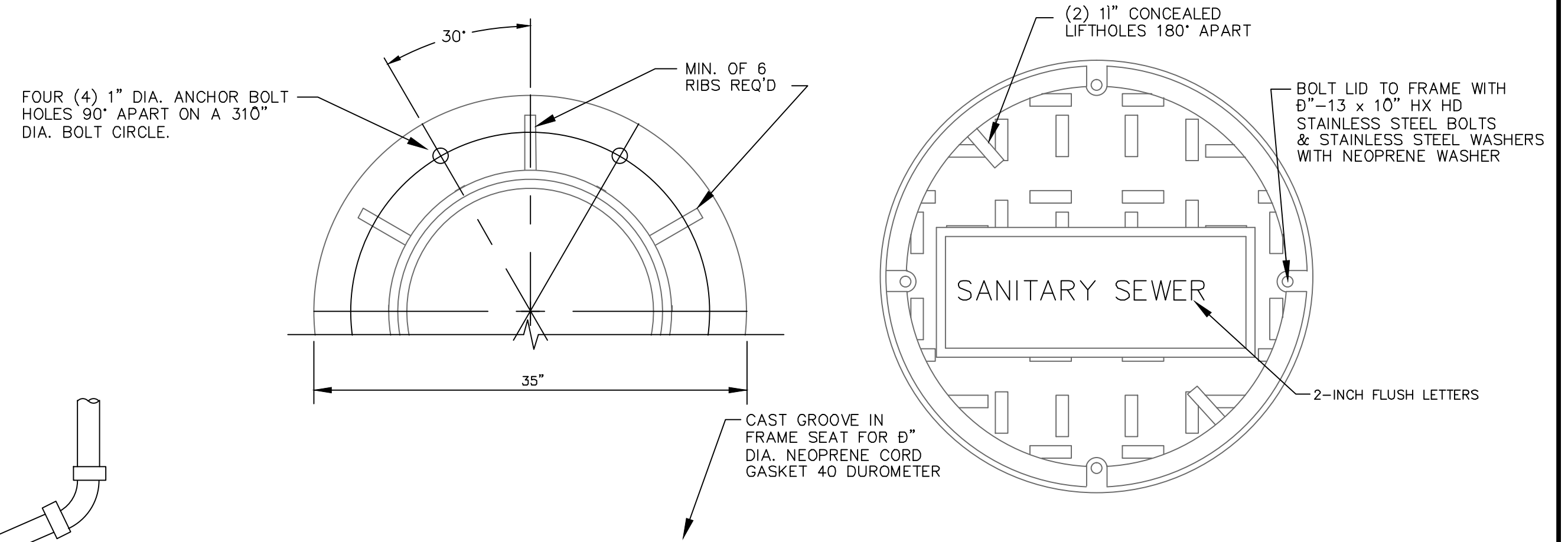
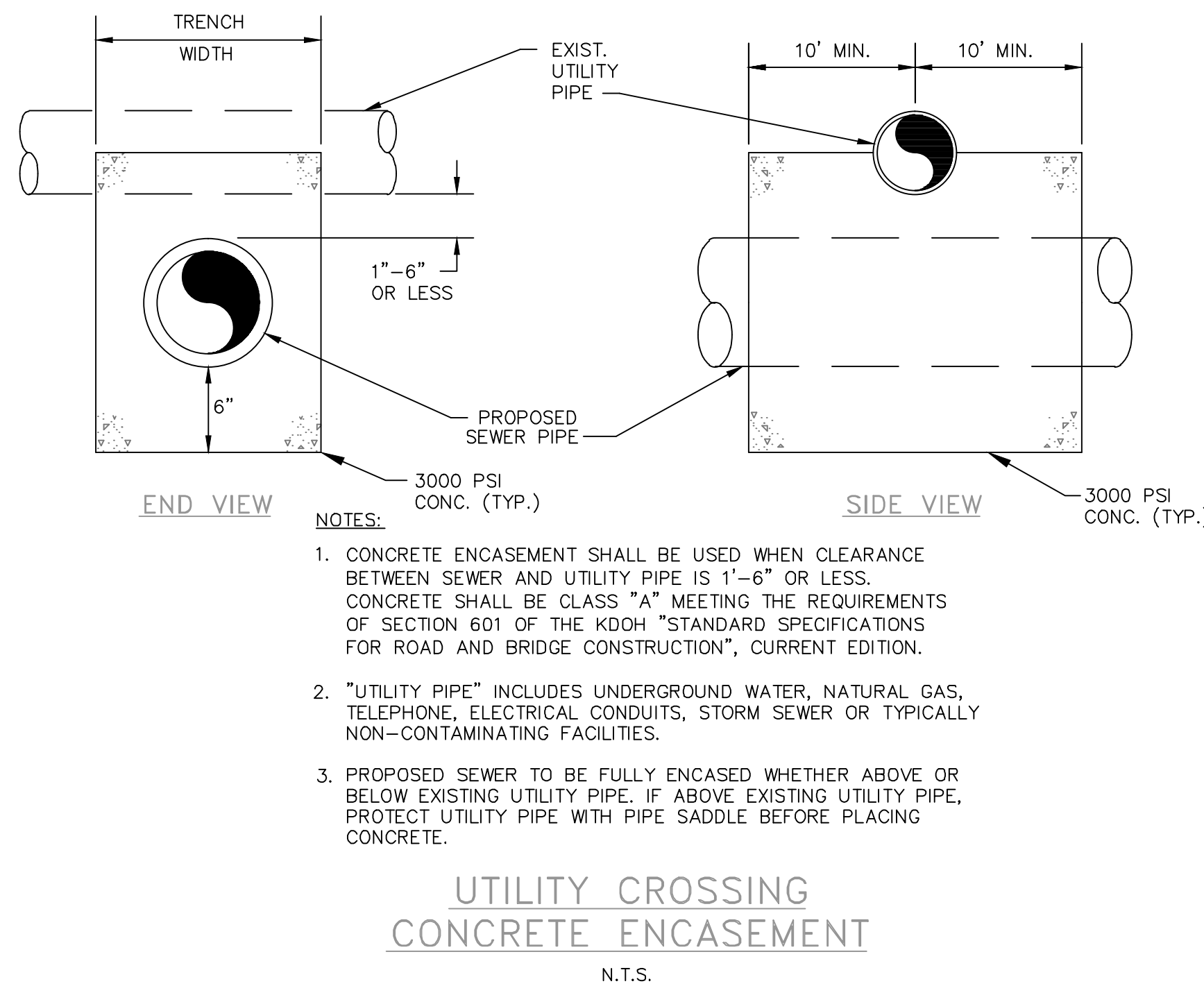
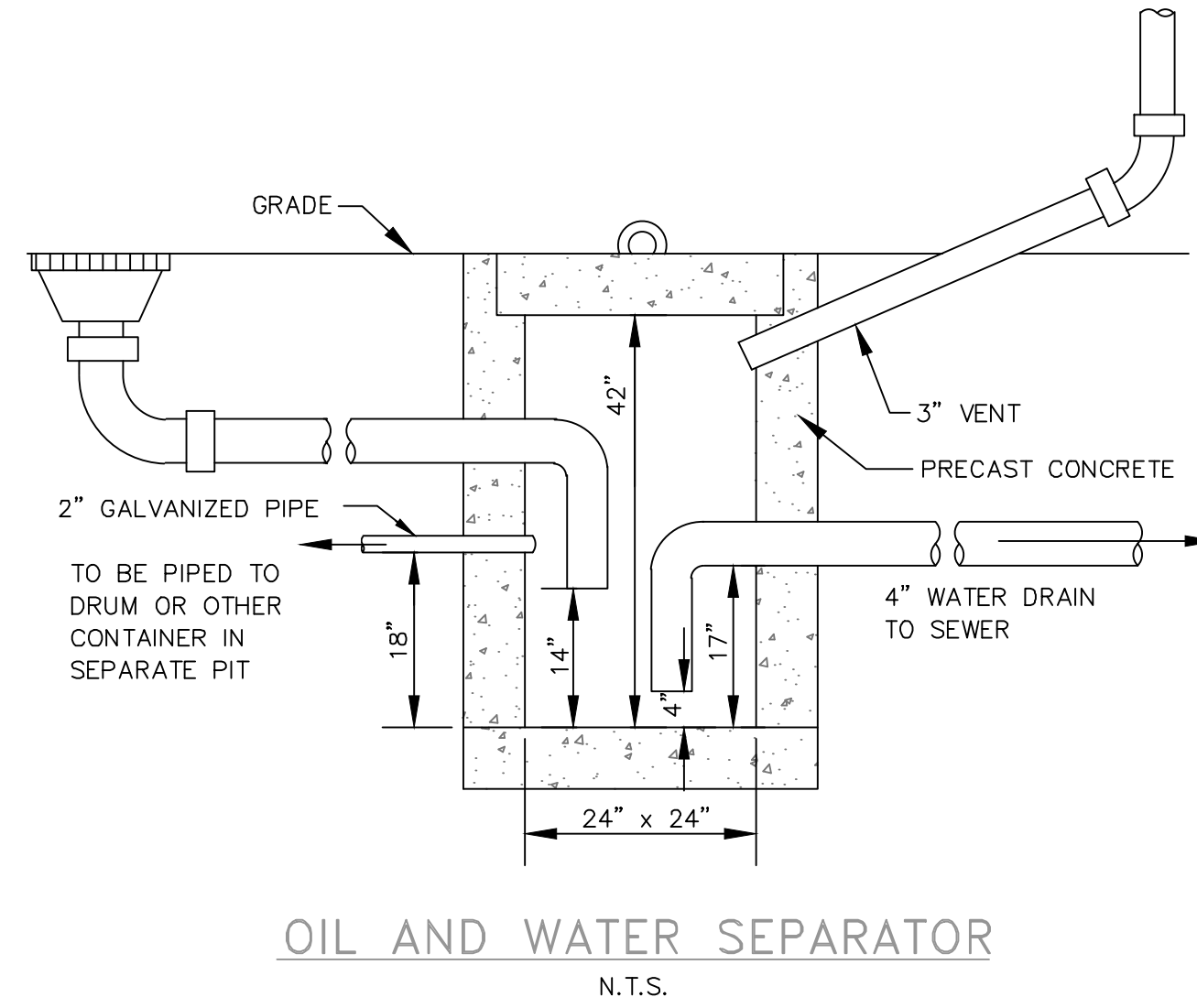
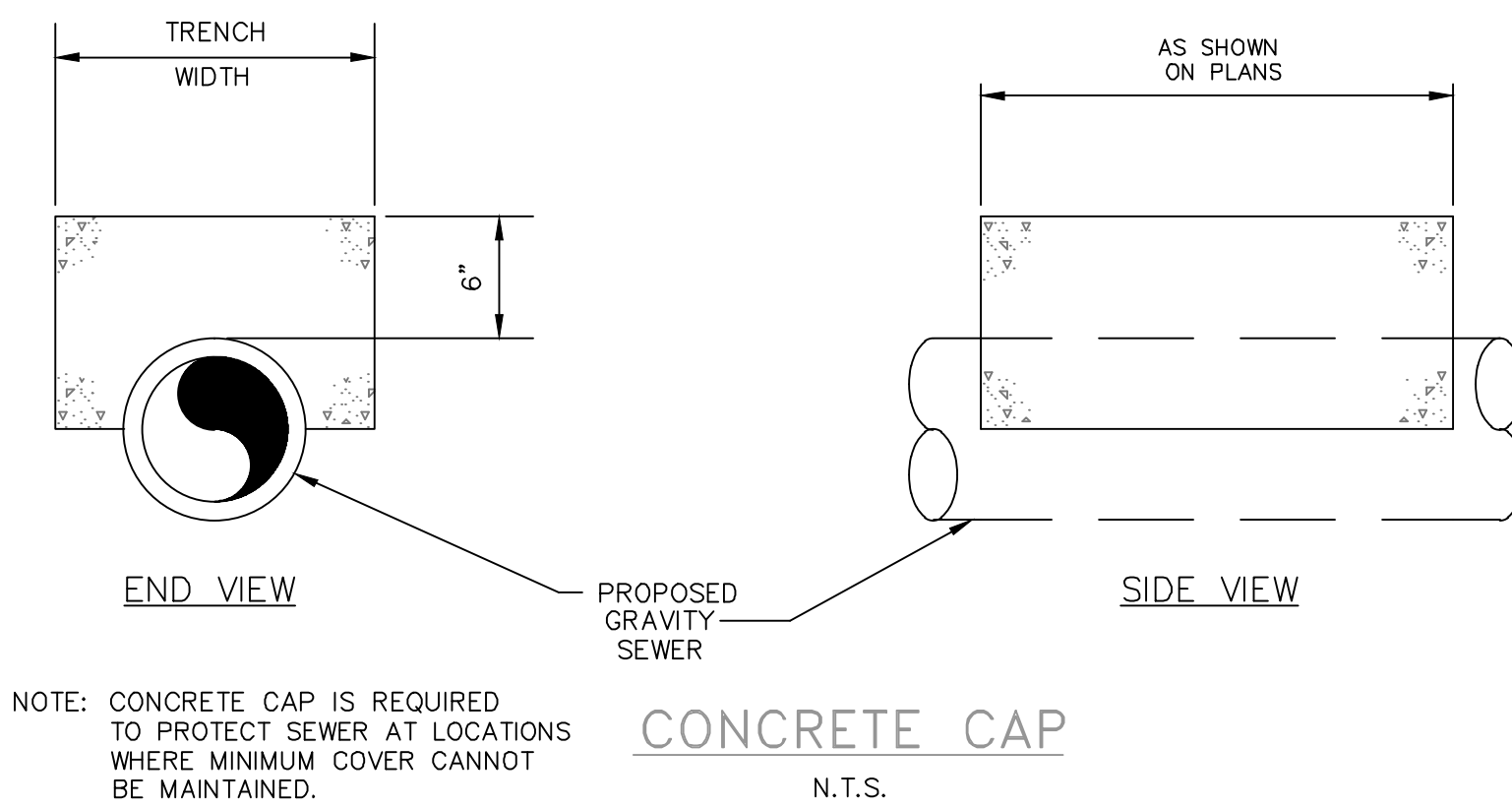
⑤ STRUCTURAL DESIGN: It is the responsibility of the applicant to provide structural design (concrete thickness and composition with appropriate reinforcing steel) to meet the anticipated live and dead loads.

1000 GALLON CONCRETE GREASE TRAP
SG-01-01

MSD Louisville and Jefferson County
Metropolitan Sewer District
700 W. Liberty Street, Louisville, Kentucky 40203-1913

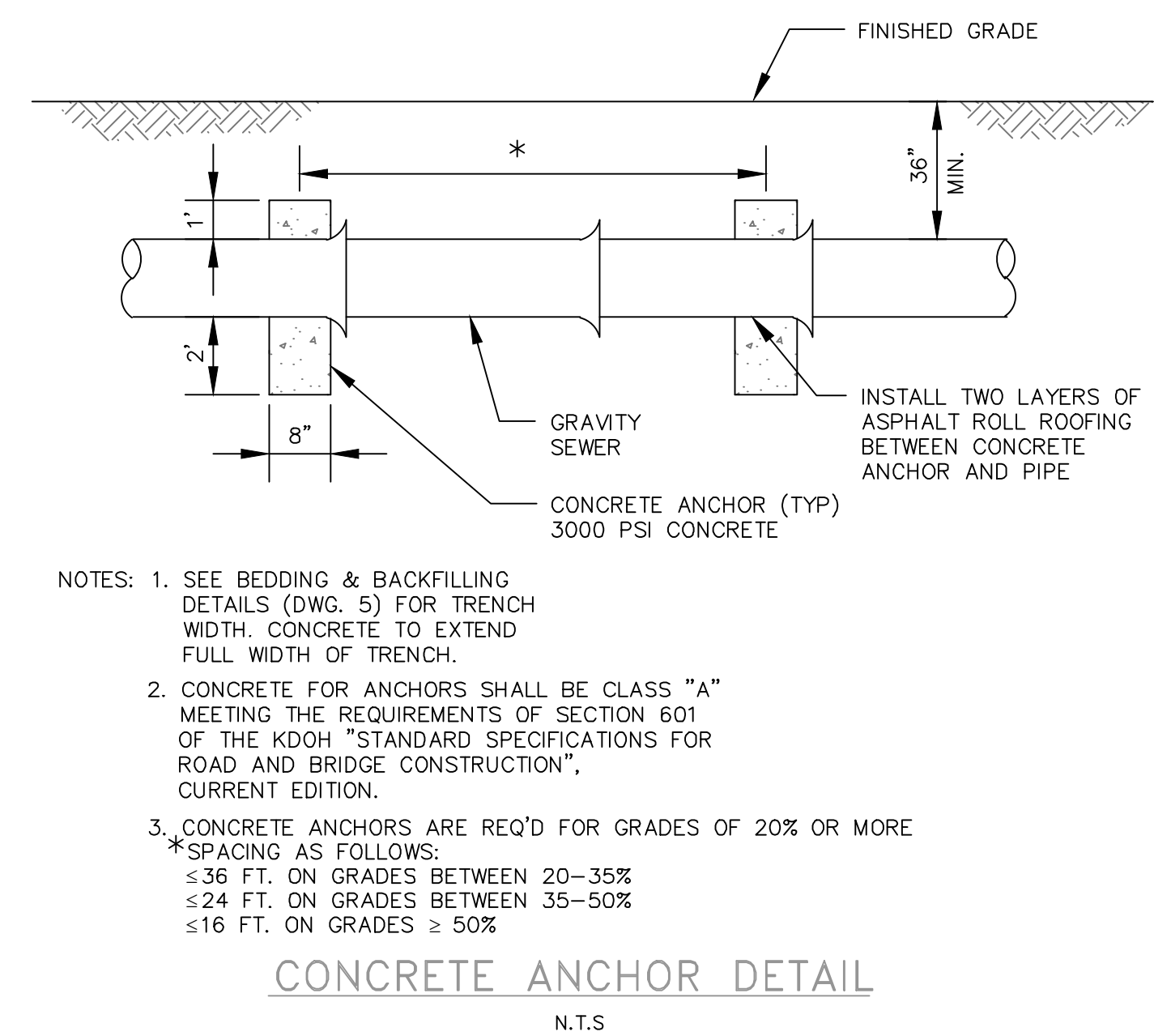
APPROVED BY: *[Signature]* DATE: 2/1/98

1000 GALLON GREASE TRAP
N.T.S.



FRAME COVER
NOTES:
1. MATERIAL: CAST GRAY IRON ASTM A-48 CLASS 35B.
2. DESIGN FOR H25 LOADING.
3. MINIMUM WEIGHTS: FRAME 200 LBS., LID 134 LBS.
4. NEENAH R-1916-D, HOE-345 WT. OR APPROVED EQUAL.

WATERTIGHT MANHOLE FRAME AND COVER
N.T.S.



- NOTES:
- SEE BEDDING & BACKFILLING DETAILS (DWG. 5) FOR TRENCH WIDTH. CONCRETE TO EXTEND FULL WIDTH OF TRENCH.
 - CONCRETE FOR ANCHORS SHALL BE CLASS "A" MEETING THE REQUIREMENTS OF SECTION 601 OF THE KDOH "STANDARD SPECIFICATIONS FOR ROAD AND BRIDGE CONSTRUCTION", CURRENT EDITION.
 - CONCRETE ANCHORS ARE REQ'D FOR GRADES OF 20% OR MORE
- *SPACING AS FOLLOWS:
 ≤ 36 FT. ON GRADES BETWEEN 20-35%
 ≤ 24 FT. ON GRADES BETWEEN 35-50%
 ≤ 16 FT. ON GRADES ≥ 50%

CITY OF MADISONVILLE, KENTUCKY
ENGINEERING DEPARTMENT
STANDARD DETAILS - SANITARY SEWER CONSTRUCTION



SCALE:	AS NOTED
DATE:	APRIL, 2015
JOB NO.:	
DESIGNED:	RKS
DRAWN:	PTH
CHECKED:	
Q/C:	

OWNER APPROVAL:
BY: _____
TITLE: _____

REVISIONS:	
NO.:	DATE: